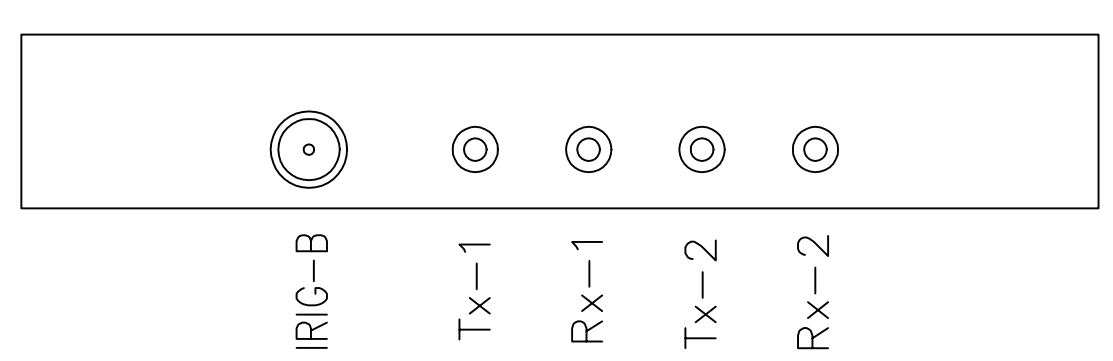
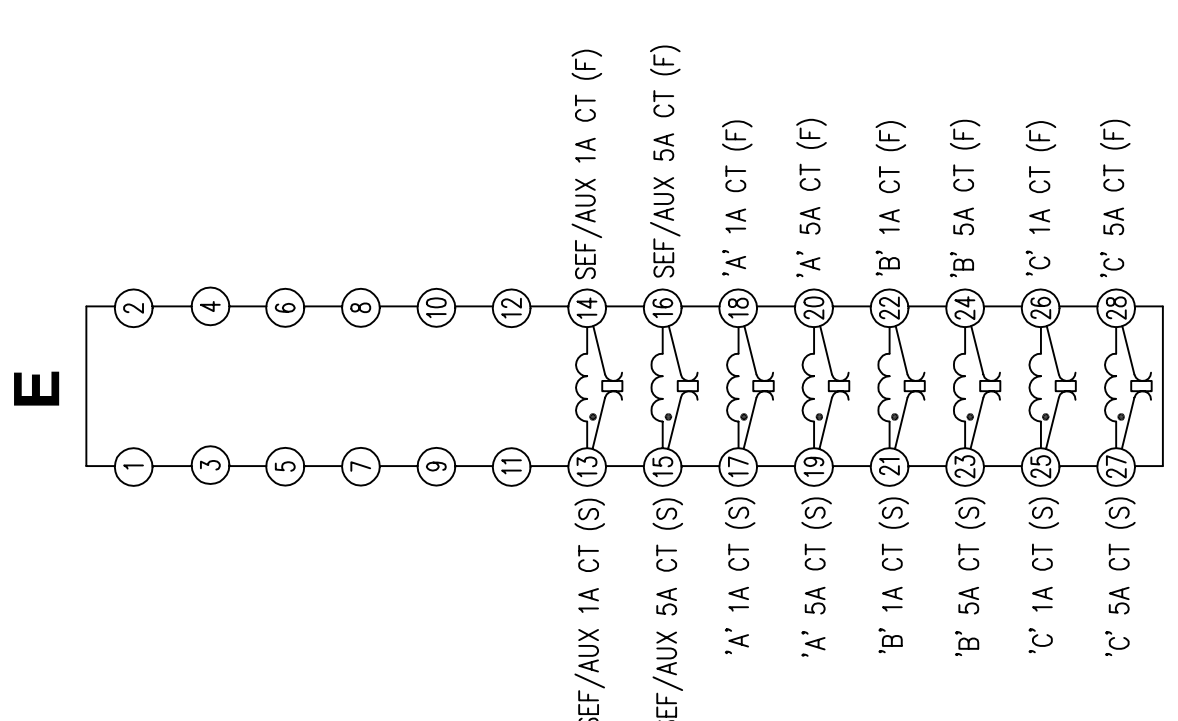
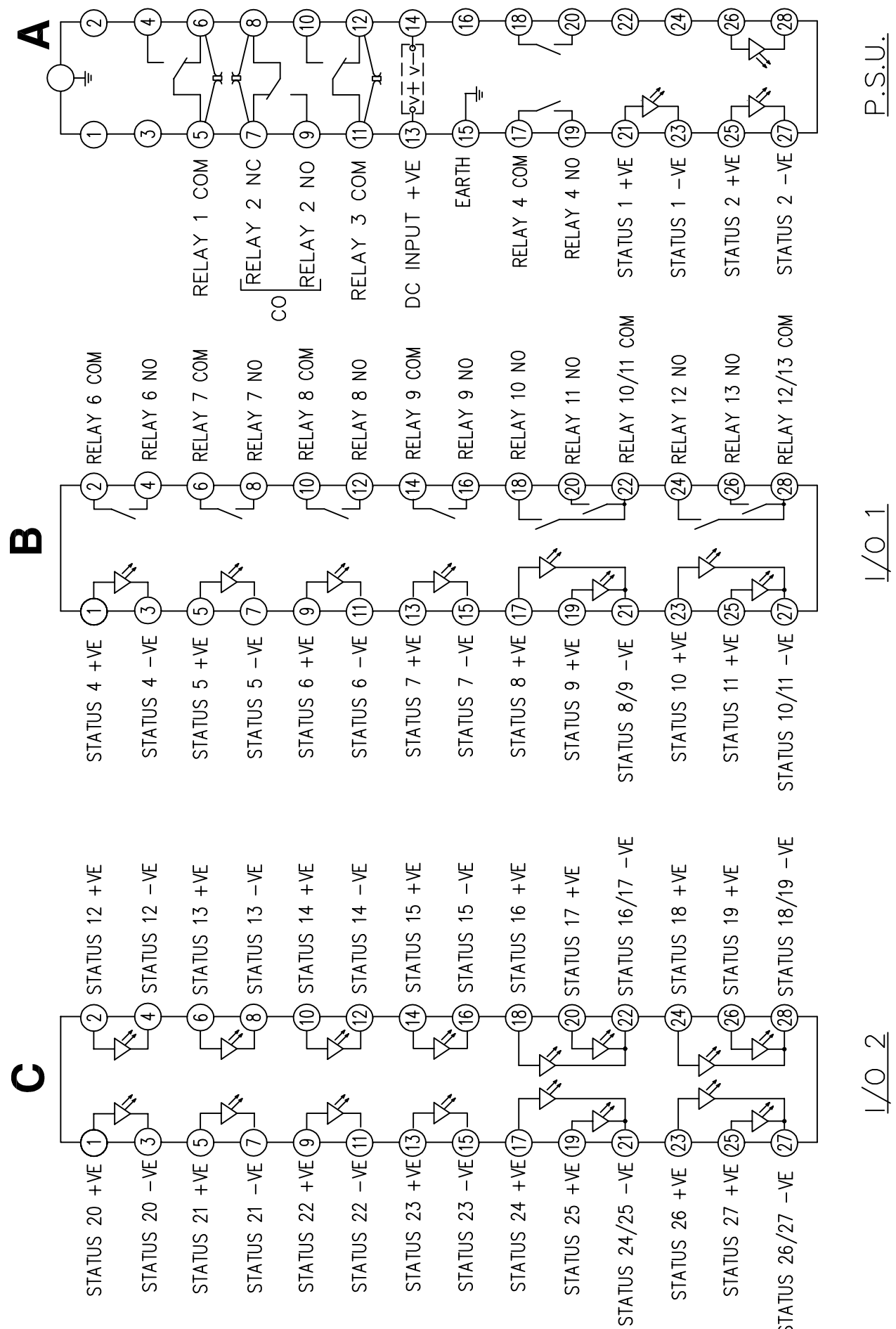


IF IN DOUBT ASK
DO NOT SCALE



P.S.U. I/O 1 I/O 2 No. Module Fitted AN 1 Controller Module

SEE NOTE 3

MODULE LABEL KEY	
ANALOGUE MODULE	AN 1 etc
INPUT/OUTPUT MODULE	I/O 1 etc
P.S.U. & BASIC I/O MODULE	P.S.U.

MATERIAL:
Dimensions in millimetres : Surface texture in micrometres.
Machine where marked ✓
For explanation of dimensions, tolerances, notes etc. see B.S.308.
Limit on untoleranced unmachined dimensions ±
Limits on untoleranced machined dimensions to B.S.4500;
i.e. up to 6±0.1; over 30 to 120±0.3; over 315±0.8;
over 6 to 30±0.2; over 120 to 315±0.5;
General unmachined angular tolerance ±

ABBREVIATIONS	
CT	CURRENT INPUTS
VT	VOLTAGE INPUTS
SI	STATUS INPUTS
CO	CHANGE OVER OUTPUT CONTACTS
NO	NORMALLY OPEN OUTPUT CONTACTS
NC	NORMALLY CLOSED OUTPUT CONTACTS

Finish:	Title: TERMINAL ID & WIRING DIAGRAM FOR FM1-1XX-XH (4CT,27SI,3CO,10NO) IN E12 VERTICAL CASE	First used on:
Treatment:	VA TECH Reyrolle AUTOMATION, CONTROL & PROTECTION	Similar Articles:
	Original Scale: NTS	Supersedes:
		Drg. No. 2471W11002

Copyright © 2000 VA TECH Reyrolle Ltd. Hebburn

**NOT SUBJECT TO UPDATE
ONCE COPIED / PRINTED
OR DOWNLOADED**

4 ROW	13/08/03	MNS53/2440 MM
3	13/05/01	SEF CT INFORMATION ADDED MNS53/2091 MM
2	27/02/00	MODULE LABEL & POSTIN ADDED MNS1008/2719
1	23/10/00	CHANGE
	ISSUE DATE	NOTED